

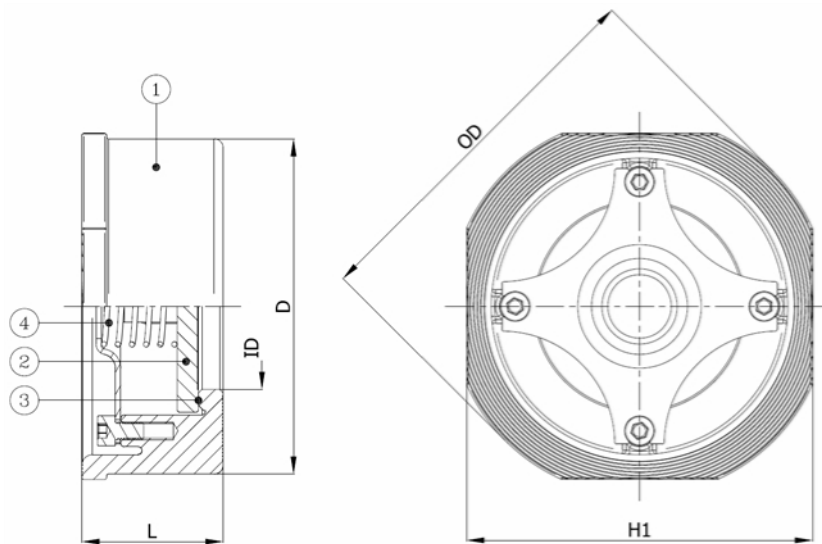
BV36-6666E-PN10/PN16/PN25/PN40

Wafer type disc check valve, mounting between flanges PN10/PN16/PN25/PN40

Face to Face Standard: EN 558-1 series 49



Item Number	Belven Ref
365078E0015	BV36-6666E-PN40-DN015
365078E0020	BV36-6666E-PN40-DN020
365078E0025	BV36-6666E-PN40-DN025
365078E0032	BV36-6666E-PN40-DN032
365078E0040	BV36-6666E-PN40-DN040
365078E0050	BV36-6666E-PN40-DN050
365078E0065	BV36-6666E-PN40-DN065
365078E0080	BV36-6666E-PN40-DN080
365078E0100	BV36-6666E-PN40-DN100



DN/Size	D	H1	ID	OD	L	Press.Cl.	Weight(kg)
DN15 (1/2")	43	43	15	53	16	PN40	0.11
DN20 (3/4")	53	53	20	63	19	PN40	0.20
DN25 (1")	63	63	25	73	22	PN40	0.27
DN32 (1 1/4")	75	75	30	84	28	PN40	0.44
DN40 (1 1/2")	86	86	38	94	32	PN40	0.64
DN50 (2")	95	95	47	107	40	PN40	0.96
DN65 (2 1/2")	115	115	62	126	46	PN40	1.44
DN80 (3")	131	131	77	145	50	PN40	2.08
DN100 (4")	150	150	86	164	60	PN40	3.31

Item 1	Item 2	Item 3
Body Material	Disc Material	Seat Material
Stainless steel : 1.4408 (CF8M)	Stainless steel : 1.4436 (AISI 316)	EPDM